

Features

- Water-saving vandal-resistant 0.5 gpm aerator.
- Factory set 30 second max. continual run cycle.
- Temperature control handle option.
- 24" (610 mm) flexible supply hoses for easy installation.
- 5-3/4" (146 mm) spout reach.
- Less drain.

Material

- Brass construction.

Technology

- Includes 30-year Hybrid Energy Cell.
- Electronic Insight™ Sensor Technology for accurate and consistent activation.
- Insight™ adaptive infrared technology.

Installation

- Single-hole mounting.
- Above-counter valve for easy installation and maintenance.

Optional Products/Accessories

1160595 .35 gpm Aerator, Medium
 1139284 Medium Aerated 1.0 gpm (3.8 l/min)
 1139285 Medium Laminar 1.0 gpm (3.8 l/min)
 1097180 Medium Aerated 1.5 gpm (5.7 l/min)
 1104546 Medium Laminar 1.5 gpm (5.7 l/min)
 79441 Sealing Washer
 K-13478-A Escutcheon Plate
 K-13479-A Escutcheon Plate
 K-13478-B Escutcheon Plate
 K-13479-B Escutcheon Plate
 K-7129 Drain
 K-7129-A Drain



ADA CSA B651 OBC

Codes/Standards

ASME A112.18.1/CSA B125.1
 NSF/ANSI 372
 All applicable US Federal and State material regulations
 DOE - Energy Policy Act 1992
 ADA
 ICC/ANSI A117.1
 CSA B651
 OBC



KOHLER® One-Year Limited Warranty

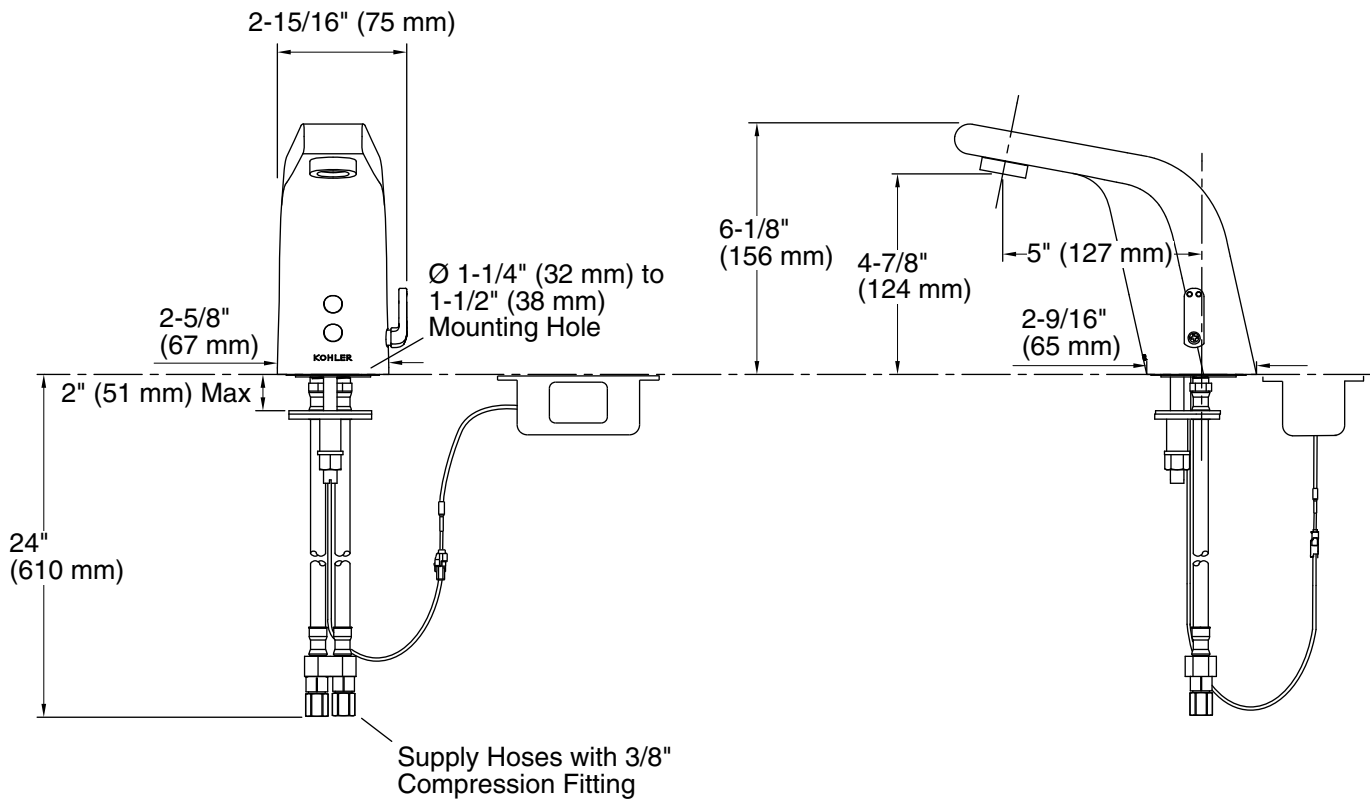
See website for detailed warranty information.

Available Colors/Finishes

Color tiles intended for reference only.

Color Code Description

| | | |
|--|----|--------------------|
|  | CP | Polished Chrome |
|  | VS | Vibrant® Stainless |



Technical Information

All product dimensions are nominal.

Faucet:

Flow rate: 0.5 gal/min (1.9 l/min)
 Valve body: Machined-brass
 Drain included: No

Notes

Install this product according to the installation guide.

A 1-1/4" (32 mm) minimum to 1-1/2" (38 mm) maximum diameter mounting hole is required.

The minimum distance between the back of the faucet spout and the wall must be 1-3/4" (44 mm). This will allow proper clearance for setscrew access.

The maximum distance between the bathroom sink basin edge to the base of the faucet spout must be 1-3/4" (44 mm).

The maximum height of the lip basin should be 3/4" (19 mm).

Product includes rosebud spray aerator. Other aerator styles are available.

ADA, OBC, CSA B651 compliant when installed to the specific requirements of these regulations.